

SIGN	DATE	DESCRIPTION	APPROVER
	2008.02.02	Current rating changed from 10A to 15A	Jun
<i>THIS IS CAD DRAWING, DO NOT REVISE MANUALLY!!!</i>			

Material

- Terminal body
- (metal housing): Brass Machined
- Terminal screw: Steel Zinc plating "-" slot type
- Contacts: Brass
- Surface of solder tail: Tin plated
- Insulator (housing): Thermoplastic (UL94V-0)

Electrical UL/CSA

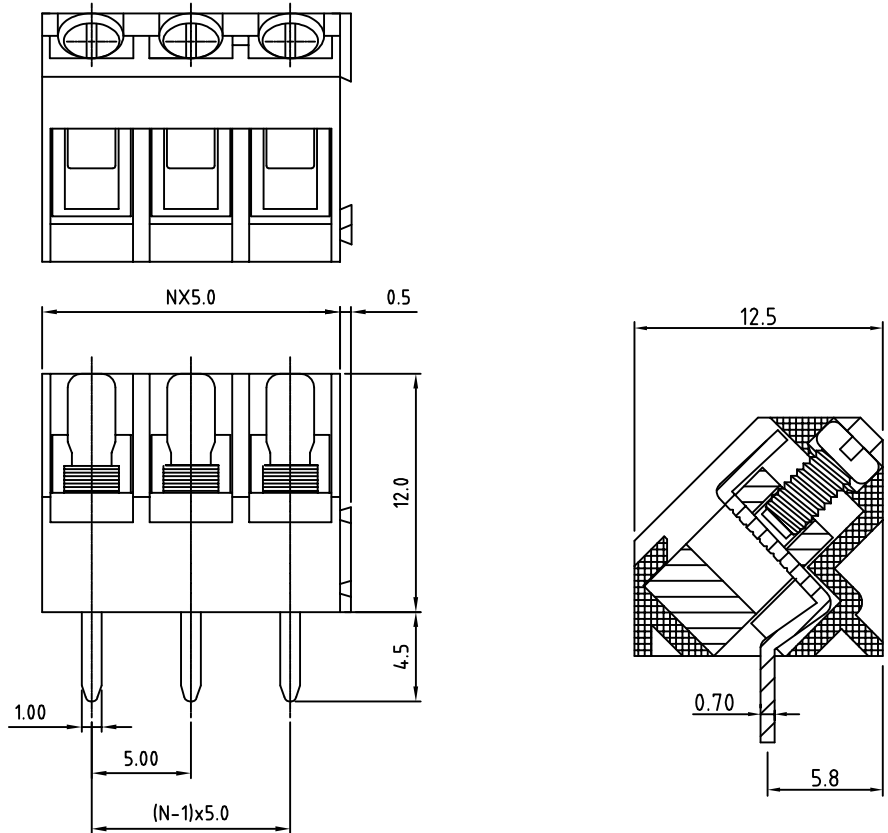
- Voltage rating: 300VAC/300VAC
- Current rating: 15A/15A
- Wire range:
 - Solid wire(AWG): 12-22/12-22
 - Stranded wire(AWG): 12-22/12-22
- Torque: 3.5Lb-In/4Kgf.cm
- Screw: M2.5
- Wire strip length: 6-7mm
- Withstanding Voltage: 1.6KV/1.6KV
- Operating temperature: -30°C to +105°C
- Soldering temperature: 250°C±10°C/5 Sec
- Safety Approval: 

RoHS Compliant

PART NUMBER

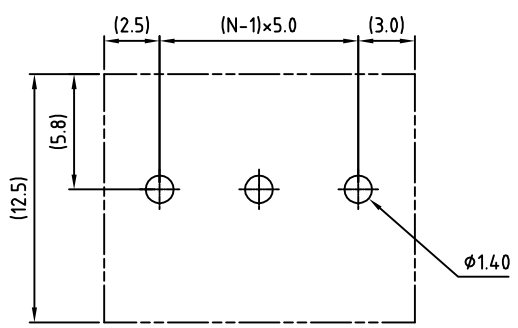
OSTTGXX01600

No. of Poles	COLOR
02: 2 Poles	0: Black
03: 3 Poles	5: Green
... ..	6: Blue (Standard)
24: 24 Poles	8: Grey



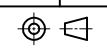
N=Number of contacts

P.C.B LAYOUT



THESE DRAWINGS AND SPECIFICATIONS ARE THE PROPERTY OF ON-SHORE TECHNOLOGY, INC. AND SHALL NOT BE REPRODUCED, COPIED OR USED IN ANY MANNER WITHOUT THE PRIOR WRITTEN CONSENT OF ON-SHORE TECHNOLOGY, INC.



TITLE		OSTTG 5.0mm series, short interlock, STANDARD			
PART NO.	OSTTGXX01600	DWG NO.	OSTTGXX01600.DWG		
APPROVED	CHECKED	DESIGNED	DRAWN	CUST NO.	Tolerance
Shi Jun 2006.10.20	Shi Jun 2006.10.20	xionghaitao 2006.10.20	xionghaitao 2006.10.20		UNIT: mm SCALE: NONE REV.: F
SHEET: 01/01					X. ±0.50 X.X ±0.30 X.XX ±0.10 X* ±1*